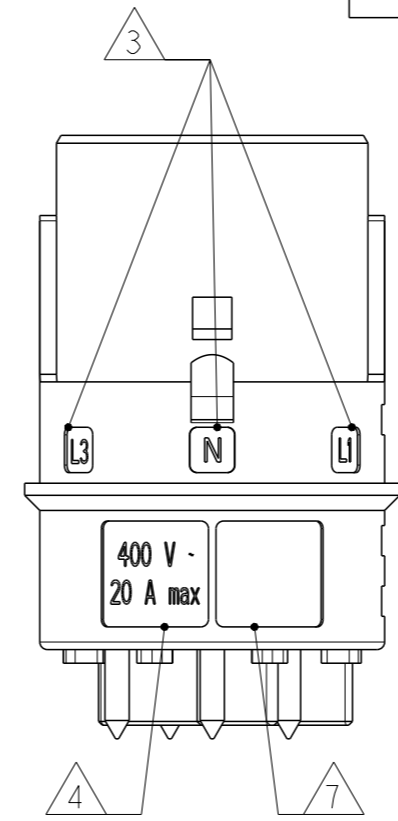
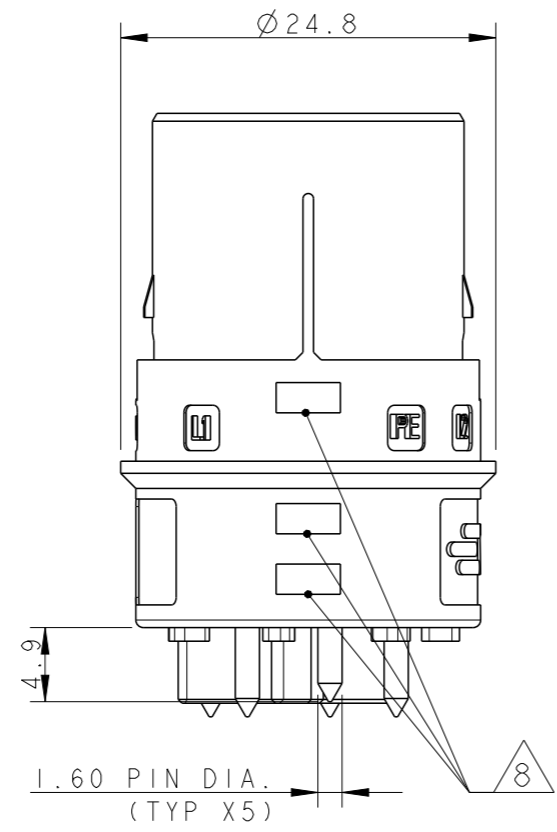
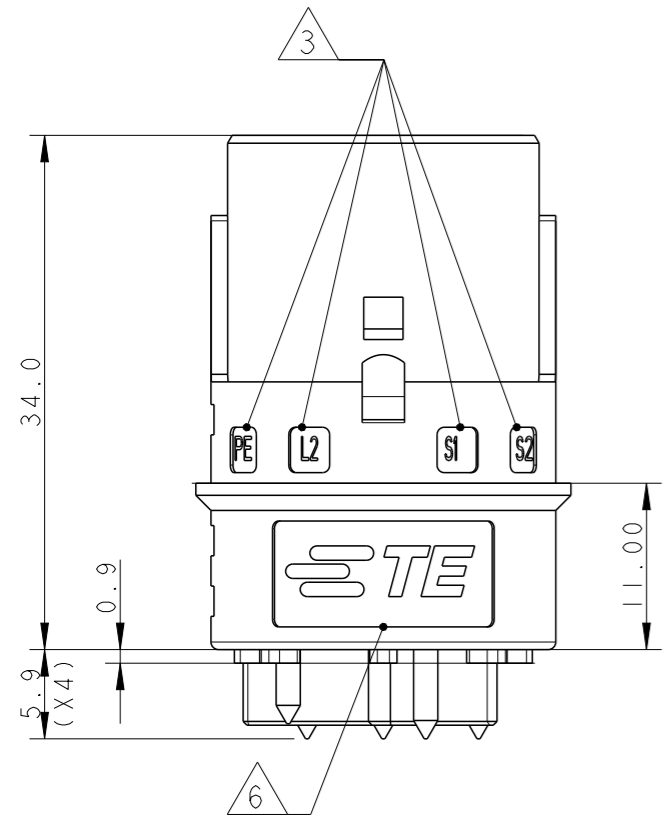


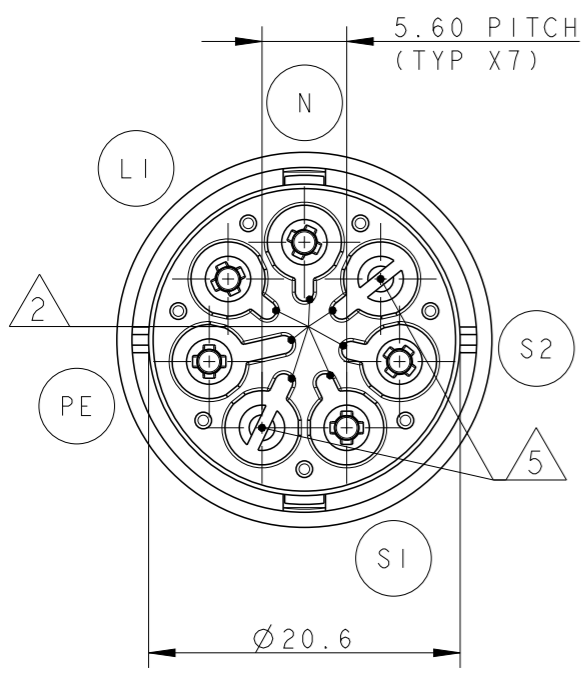
THIS DRAWING IS UNPUBLISHED. RELEASED FOR PUBLICATION 2011
 © COPYRIGHT 2011 ALL RIGHTS RESERVED.

LOC	DIST	REVISIONS				
P	LTR	DESCRIPTION	DATE	DWN	APVD	
1	-	7	REVISED	09AUG2013	KR	JC
		A	PARTS RELEASED FOR PRODUCTION	13NOV2013	MZ	JC



NOTES:

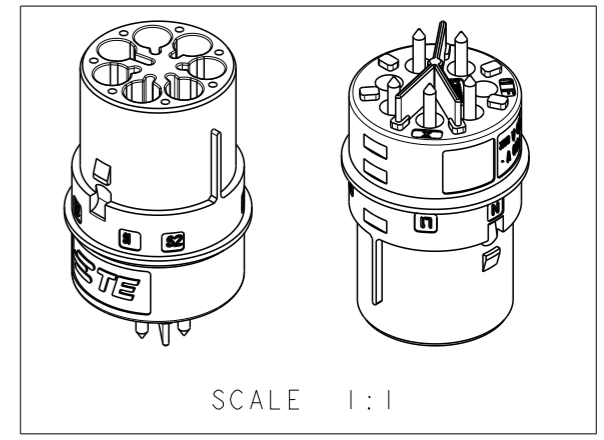
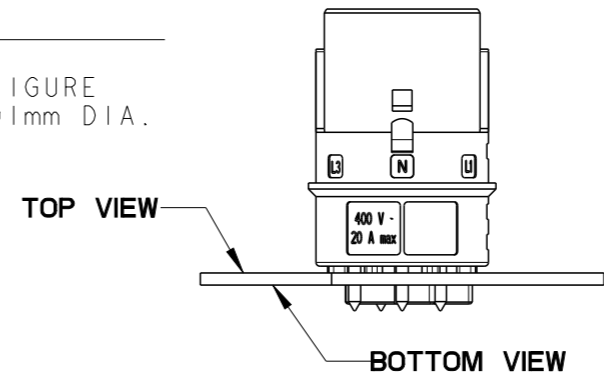
- 1 MATERIAL: PA GF (NATURAL COLOUR)
- 2 ALL POLARIZATION KEYS SHOWN FOR REF ONLY
- 3 WAYS I.D.
- 4 VOLTAGE AND CURRENT RATINGS
- 5 RIB CLOSING CAVITIES BY CHANGE OVER
- 6 TE LOGO
- 7 AREA FOR AGENCIES APPROVAL LOGO
- 8 VISUAL INDICATOR FOR PE CONDUCTOR
- 9 POLARISATION KEY "TYPE D" SUITABLE FOR DALI APPLICATION



PCB CUT-OUT AND HOLES DIMENSIONS (±0.03)

BOTTOM VIEW

RACOMANDED PCB THICKNESS 1.6±0.06, PATH THICKNESS 0.07, PATH WIDTH 7.50±0.05 FOR LINES, PE, NEUTRAL



THIS DRAWING IS A CONTROLLED DOCUMENT.		DWN M. ZUCCA 04APR2011	TE Connectivity	
DIMENSIONS: mm		CHK M. ZUCCA 04APR2011		
TOLERANCES UNLESS OTHERWISE SPECIFIED:		APVD G. TURCO 04APR2011	NAME	
0 PLC ±- 1 PLC ±0.3 2 PLC ±0.20 3 PLC ±- 4 PLC ±- ANGLES ±3°		PRODUCT SPEC -	PIN PCB CONNECTOR NECTOR* M-LINE 5 POLES	
MATERIAL -		FINISH -	APPLICATION SPEC -	RESTRICTED TO -
		WEIGHT -	SIZE A3	CAGE CODE 00779
		Customer Drawing	DRAWING NO. C-293695	REV A
			SCALE 2:1	SHEET 1 OF 2

THIS DRAWING IS UNPUBLISHED.

RELEASED FOR PUBLICATION

2011

© COPYRIGHT 2011

ALL RIGHTS RESERVED.

LOC

DIST

REVISIONS

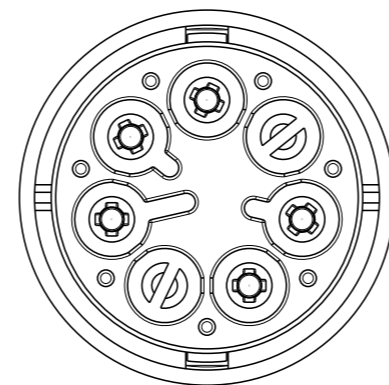
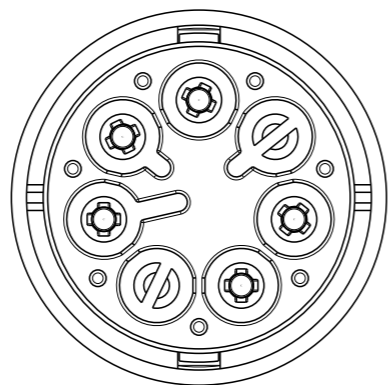
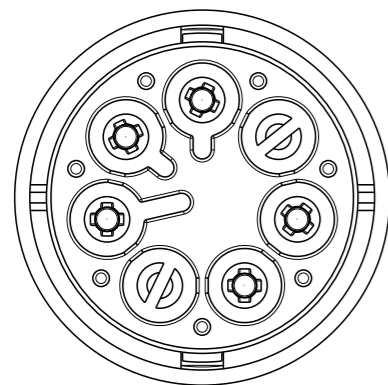
P	LTR	DESCRIPTION	DATE	DWN	APVD
-	-	SEE SHEET 1	-	-	-

POLARIZATION TYPES

POLARIZATION TYPE "A"

POLARIZATION TYPE "B"

POLARIZATION TYPE "C"



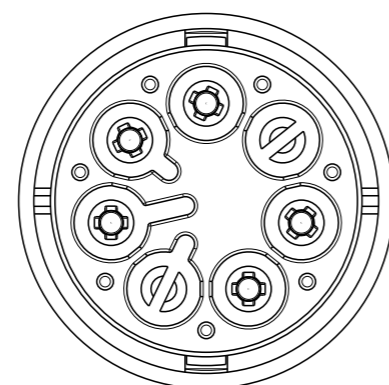
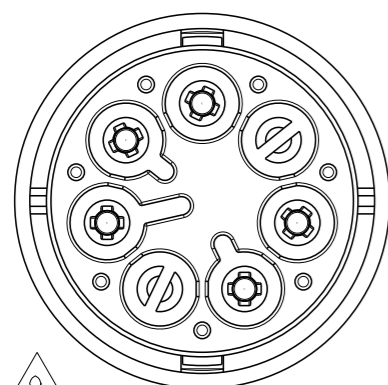
PN 0-293695-1

PN 0-293695-2

PN 0-293695-3

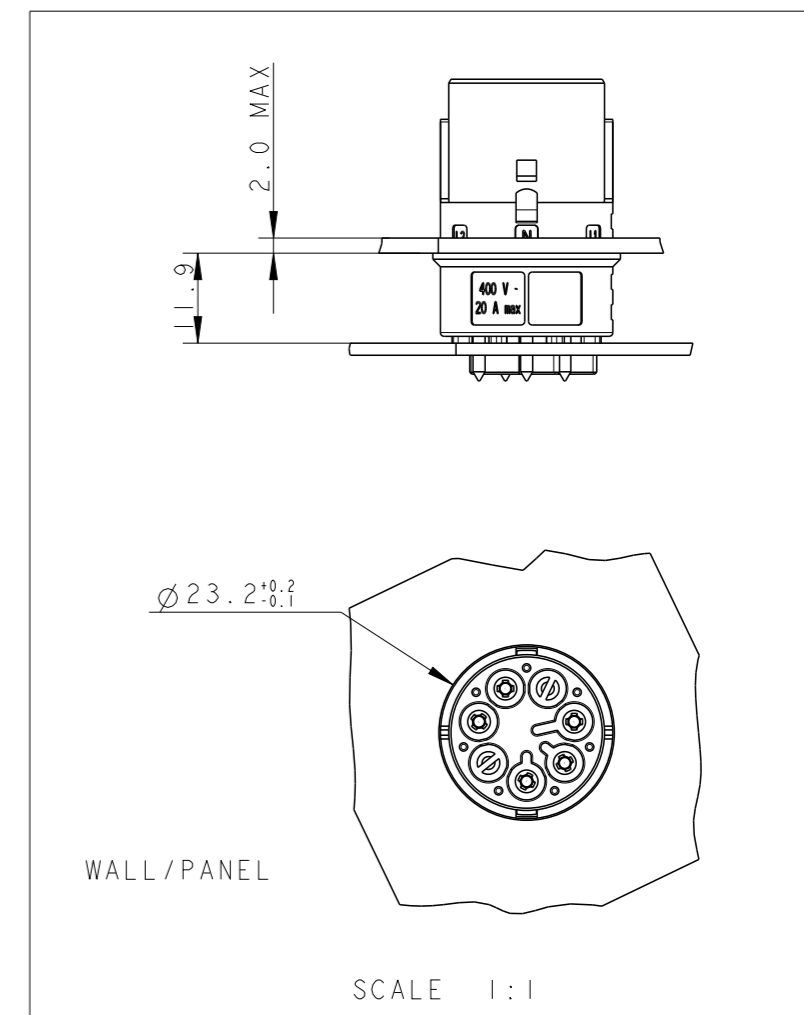
POLARIZATION TYPE "D"

POLARIZATION TYPE "E"



PN 0-293695-4

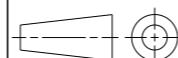
PN 0-293695-5



△	E	NATURAL	PIN PCB CONNECTOR NECTOR* M-LINE 5 POLES	A	0-293695-5
△ 9	D	NATURAL	PIN PCB CONNECTOR NECTOR* M-LINE 5 POLES	A	0-293695-4
△	C	NATURAL	PIN PCB CONNECTOR NECTOR* M-LINE 5 POLES	A	0-293695-3
△	B	NATURAL	PIN PCB CONNECTOR NECTOR* M-LINE 5 POLES	A	0-293695-2
△	A	NATURAL	PIN PCB CONNECTOR NECTOR* M-LINE 5 POLES	A	0-293695-1
NOTE	POL. KEYING	COLOUR	DESCRIPTION	REV.	PART NUMBER

THIS DRAWING IS A CONTROLLED DOCUMENT.

DIMENSIONS: mm



TOLERANCES UNLESS OTHERWISE SPECIFIED:

0 PLC ±-

1 PLC ±0.3

2 PLC ±0.20

3 PLC ±-

4 PLC ±-

ANGLES ±3°

MATERIAL

FINISH

DWN M. ZUCCA 04APR2011

CHK M. ZUCCA 04APR2011

APVD G. TURCO 04APR2011

PRODUCT SPEC

APPLICATION SPEC

WEIGHT

Customer Drawing

NAME
PIN PCB CONNECTOR NECTOR* M-LINE 5 POLES

STE TE Connectivity

SIZE A3 CAGE CODE 00779 DRAWING NO C-293695 RESTRICTED TO

SCALE 2:1 SHEET 2 OF 2 REV A